

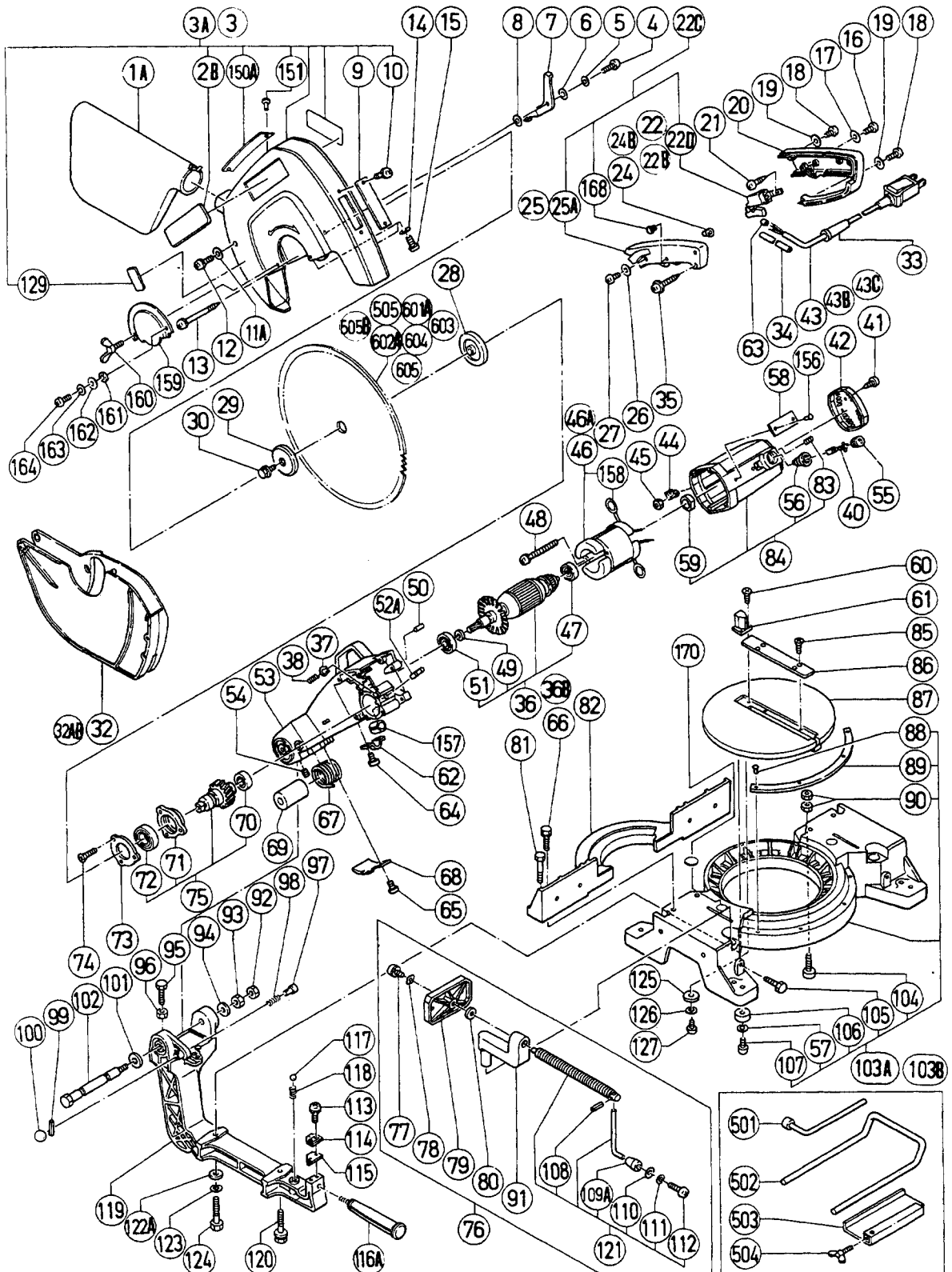
HITACHI

LIST NO. 0907

ELECTRIC TOOL PARTS LIST

■ 15" MITER SAW
Model C 15FB

1995 · 4 · 10
(E3)



PARTS

C 15FB

ITEM NO.	CODE NO.	DESCRIPTION	NO. USED	REMARKS
1B	976-478	DUST BAG	1	
2B	951-853	HITACHI LABEL	1	
* 3A	988-808	SAW COVER ASS'Y	1	INCLUD.2A,9,10,129,150A,151,159 - 164
* 3	988-912	SAW COVER ASS'Y	1	INCLUD.2A,9,10,129,159 - 164 FOR AUS
* 3	988-914	SAW COVER ASS'Y	1	INCLUD.2,9,10,128,129 FOR TPE
4	949-255	MACHINE SCREW M6X12 (10 PCS.)	1	
5	949-455	SPRING WASHER M6 (10 PCS.)	1	
6	972-258	SPECIAL WASHER	1	
7	988-901	LEVER (A)	1	
8	974-484	WASHER	1	
9	988-112	COVER	1	
10	976-706	MACHINE SCREW (W/WASHERS) M5X10	2	
11A	936-311	WASHER (B)	2	
12	987-512	MACHINE SCREW (W/SP. WASHER) M5X16	2	
13	988-888	TAPPING SCREW (W/SP. WASHER) D5X90	4	
14	949-431	BOLT WASHER M5 (10 PCS.)	1	
15	949-216	MACHINE SCREW M4X10 (10 PCS.)	1	
16	949-239	MACHINE SCREW M5X16 (10 PCS.)	1	
17	949-431	BOLT WASHER M5 (10 PCS.)	1	
18	949-241	MACHINE SCREW M5X20 (10 PCS.)	2	
19	949-431	BOLT WASHER M5 (10 PCS.)	2	
20	988-107	HANDLE	1	
21	974-572	TAPPING SCREW D4X10	2	
* 22	976-450	SWITCH (A) (2P PILLAR TYPE) W/O LOCK	1	
* 22	974-664Z	SWITCH (A) (2P PILLAR TYPE) W/LOCK	1	FOR NZL,SIN
* 22	976-447	SWITCH (1P PILLAR TYPE) W/LOCK	1	FOR TPE,KOR
* 22C	988-924	SWITCH AND HANDLE COVER SET	1	INCLUD.22D,25A,168 FOR USA
* 22D	988-925	SWITCH (B) (1P PILLAR TYPE) W/LOCK	1	FOR CAN (SINCE 8.1989 FOR USA)
* 24	959-141	CONNECTOR 50092 (10 PCS.)	1	FOR USA,CAN
* 24	959-140	CONNECTOR 50091 (10 PCS.)	1	FOR GBR,SAF,ITA
* 25A	988-920	HANDLE COVER	1	
* 25	988-108	HANDLE COVER	1	FOR NZL,SIN
26	949-431	BOLT WASHER M5 (10 PCS.)	2	
27	949-237	MACHINE SCREW M5X12 (10 PCS.)	2	
* 28	988-895	WASHER (A)	1	FOR USA,KOR
* 29	988-896	WASHER (B)	2	
* 29	988-896	WASHER (B)	1	FOR USA,KOR
30	988-101	BOLT (A) M10	1	
* 31	988-100	COVER HOLDER	1	(TILL 8.1987 FOR USA)
* 32	988-887	SAFETY COVER ASS'Y	1	INCLUD.31,39 EXCEPT FOR USA
* 32A	988-913	SAFETY COVER	1	FOR USA
33	940-778	CORD ARMOR D10.7	1	
34	988-893	TUBE (A)	1	
35	988-889	TAPPING SCREW (W/WASHER) D4X25	2	
* 36	360-007	ARMATURE ASS'Y 100V	1	INCLUD.47,49,51
* 36	360-065C	ARMATURE ASS'Y 110V - 115V	1	INCLUD.47,49,51
* 36	360-065D	ARMATURE ASS'Y 120V - 127V	1	INCLUD.47,49,51
* 36	360-065E	ARMATURE ASS'Y 220V - 230V	1	INCLUD.47,49,51
* 36	360-065F	ARMATURE ASS'Y 240V	1	INCLUD.47,49,51
* 36	360-065G	ARMATURE ASS'Y 115V	1	INCLUD.47,49,51 FOR USA,CAN
37	974-577	RETAINING RING (E - TYPE) FOR D7 SHAFT	1	

*: ALTERNATIVE PARTS

PARTS

C 15FB

ITEM NO.	CODE NO.	DESCRIPTION	NO. USED	REMARKS
38	948-363	GAUGE SPRING	1	
* 39	976-815	MACHINE SCREW (W/WASHERS) M4X8	4	(TILL 8.1987 FOR USA)
40	989-044	CARBON BRUSH (1 PAIR)	2	
41	974-572	TAPPING SCREW D4X10	2	
42	974-571	TAIL COVER	1	
* 43	500-214Z	CORD	1	(CORD ARMOR D10.7)
* 43	500-234Z	CORD	1	(CORD ARMOR D10.7) FOR ITA,INA
* 43	500-242Z	CORD	1	(CORD ARMOR D10.7) FOR USA CAN
* 43	952-801Z	CORD	1	(CORD ARMOR D10.7) FOR HKG
* 43	952-802Z	CORD	1	(CORD ARMOR D10.7) FOR SIN,KUW
* 43	952-804Z	CORD	1	(CORD ARMOR D10.7) FOR SAF,GBR
* 43	952-805Z	CORD	1	(CORD ARMOR D10.7) FOR NZL,AUS
* 43	952-806Z	CORD	1	(CORD ARMOR D10.7) FOR DEN,SWE,FRG
* 43	303-154	CORD	1	(CORD ARMOR D10.7) FOR ARG
44	974-569	NUT COVER	2	
45	949-555	NUT M5 (10 PCS.)	2	
* 46	974-582	STATOR ASS'Y 100V	1	INCLUD.158
* 46	974-613C	STATOR ASS'Y 110V - 115V	1	INCLUD.158
* 46	974-613D	STATOR ASS'Y 120V - 127V	1	INCLUD.158
* 46A	340-198H	STATOR ASS'Y 220V - 230V	1	INCLUD.158
* 46	974-613F	STATOR ASS'Y 240V	1	INCLUD.158 FOR AUS,KUW
* 46	976-445G	STATOR ASS'Y 115V	1	INCLUD.158 FOR USA
* 46	976-445H	STATOR ASS'Y 115V	1	INCLUD.158 FOR CAN
47	620-0VV	BALL BEARING 6200VVCMP2S	1	
48	974-603	MACHINE SCREW (W/SP. WASHER) M5X75	2	
49	947-622	DISTANCE PIECE	1	
50	976-441	BEARING LOCK	1	
51	600-2DD	BALL BEARING 6002DDUCMP2S	1	
52A	974-576	STOPPER PIN	1	
* 53	988-881	GEAR CASE	1	
* 53	988-819	GEAR CASE	1	FOR CAN
54	988-247	HEX. SOCKET SET SCREW M6X10	2	
55	978-445	BRUSH CAP	2	
56	974-567	BRUSH HOLDER	2	
57	949-431	BOLT WASHER M5 (10 PCS.)	3	
58		NAME PLATE	1	
59	988-886	BEARING BUSHING	1	
60	949-322	FLAT HD. SCREW M4X10 (10 PCS.)	2	
61	988-900	GUARD	1	
62	934-028	CORD CLIP	1	
63	988-894	TUBE (D)	4	
64	949-216	MACHINE SCREW M4X10 (10 PCS.)	2	
65	949-322	FLAT HD. SCREW M4X10 (10 PCS.)	2	
66	988-877	BOLT (W/WASHERS) M10X40	4	
67	988-878	SPRING	1	
68	988-885	SPRING COVER	1	
69	988-879	SLEEVE	1	
70	600-1VV	BALL BEARING 6001VVCMP2L	1	
71	988-883	BEARING HOLDER	1	
72	600-6ZZ	BALL BEARING 6006ZZCMP2S	1	
73	988-884	BEARING COVER	1	

*: ALTERNATIVE PARTS

PARTS

C 15FB

ITEM NO.	CODE NO.	DESCRIPTION	NO. USED	REMARKS
74	949-342	FLAT HD. SCREW M8X25 (10 PCS.)	3	
75	988-882	SPINDLE ASS'Y	1	INCLUD.70 - 72
76	988-897	WISE ASS'Y	1	INCLUD.77 - 80,91,108 - 112,121
77	997-314	MACHINE SCREW (W/WASHERS) M6X10	1	
78	974-612	WAVE WASHER M10	1	
79	988-106	WISE (A)	1	
80	949-434	BOLT WASHER M10 (10 PCS.)	1	
81	949-634	BOLT M10X80 (10 PCS.)	2	
82	988-876	WISE (B)	1	
83	967-508	HEX. SOCKET SET SCREW M4X5	2	
84	974-566	HOUSING ASS'Y	1	INCLUD.56,59,83
85	949-322	FLAT HD. SCREW M4X10 (10 PCS.)	4	
86	974-579	TABLE INSERT	1	
87	988-870	TURN TABLE	1	
88	949-510	RIVET D2.5X4.8 (10 PCS.)	4	
89	988-907	SCALE	1	
90	949-572	LOCK NUT M10 (10 PCS.)	2	
91	988-898	SCREW HOLDER	1	
92	949-574	LOCK NUT M12 (10 PCS.)	1	
93	949-561	NUT M12 (10 PCS.)	1	
94	949-437	BOLT WASHER M12 (10 PCS.)	1	
95	988-872	BOLT M10X40	2	
96	949-572	LOCK NUT M10 (10 PCS.)	2	
97	988-874	SET PIN	1	
98	948-363	GAUGE SPRING	1	
99	949-539	ROLL PIN D3X25 (10 PCS.)	1	
100	967-896	GRIP	1	
101	955-818	BOLT WASHER M16	1	
102	988-880	HINGE SHAFT	1	
* 103A	988-906	BASE ASS'Y	1	INCLUD.57,88 - 90,104 - 107
* 103B	988-928	BASE ASS'Y	1	INCLUD.57,88 - 90,104 - 107,170 FOR USA
104	988-891	SET SCREW	1	
105	949-698	BOLT M10X30 (10 PCS.)	1	
106	964-851	BASE RUBBER	3	
107	949-241	MACHINE SCREW M5X20 (10 PCS.)	3	
108	949-496	ROLL PIN D3X16 (10 PCS.)	1	
109A	962-561	COLLAR	1	
110	976-448	WASHER (B)	1	
111	949-453	SPRING WASHER M4 (10 PCS.)	1	
112	949-216	MACHINE SCREW M4X10 (10 PCS.)	1	
113	976-706	MACHINE SCREW (W/WASHERS) M5X10	2	
114	976-826	INDICATOR	1	
115	976-804	SPACER	1	
116A	988-875	SIDE HANDLE	1	
117	959-153	STEEL BALL D12.7 (10 PCS.)	1	
118	967-150	SPRING (C)	1	
119	988-871	HINGE	1	
120	988-873	BOLT (W/WASHERS) M10X65	2	
121	988-104	SCREW ASS'Y	1	INCLUD.108 - 112
122A	302-988	WASHER (I)	1	
123	949-458	SPRING WASHER M10 (10 PCS.)	1	

*: ALTERNATIVE PARTS

