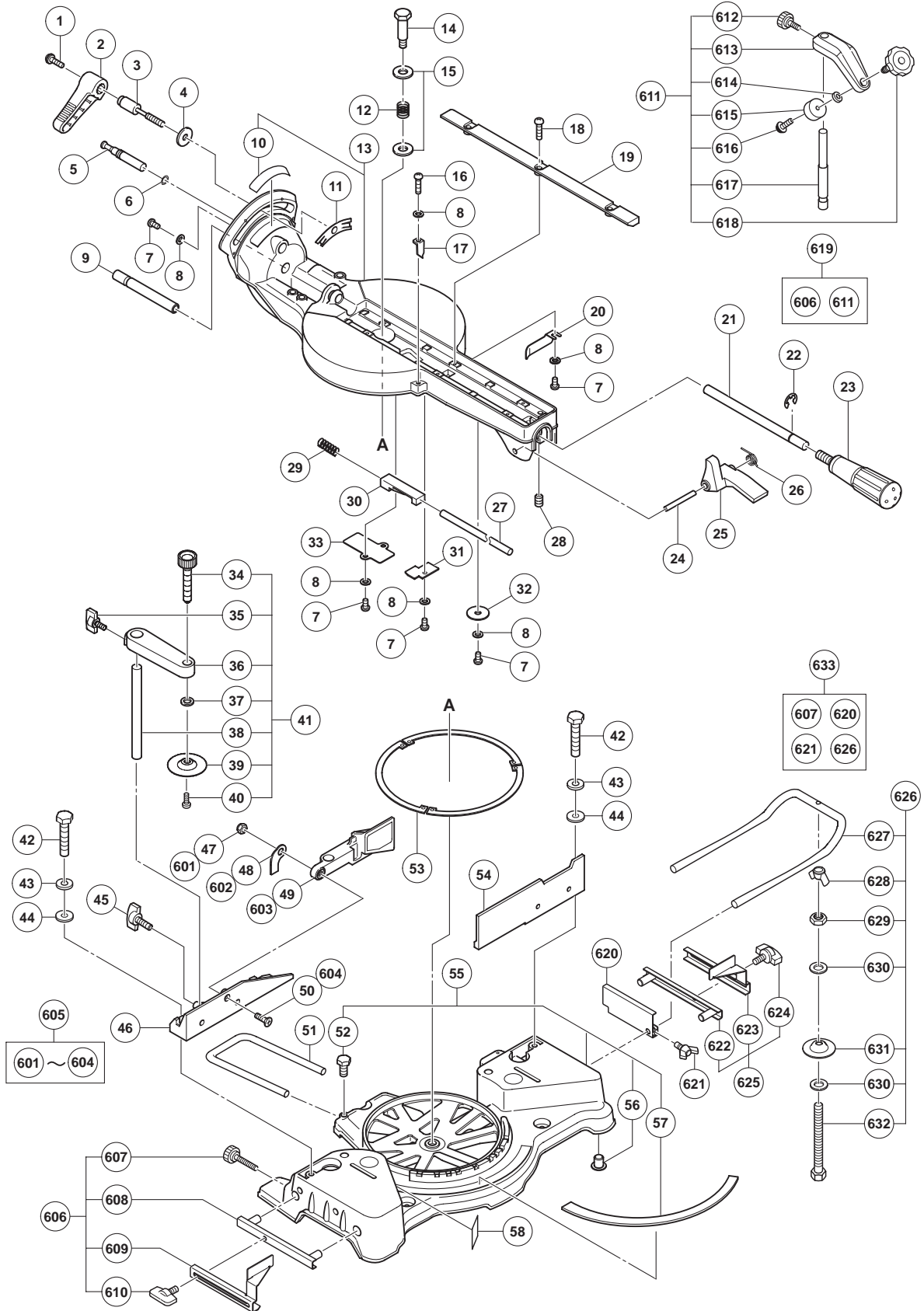
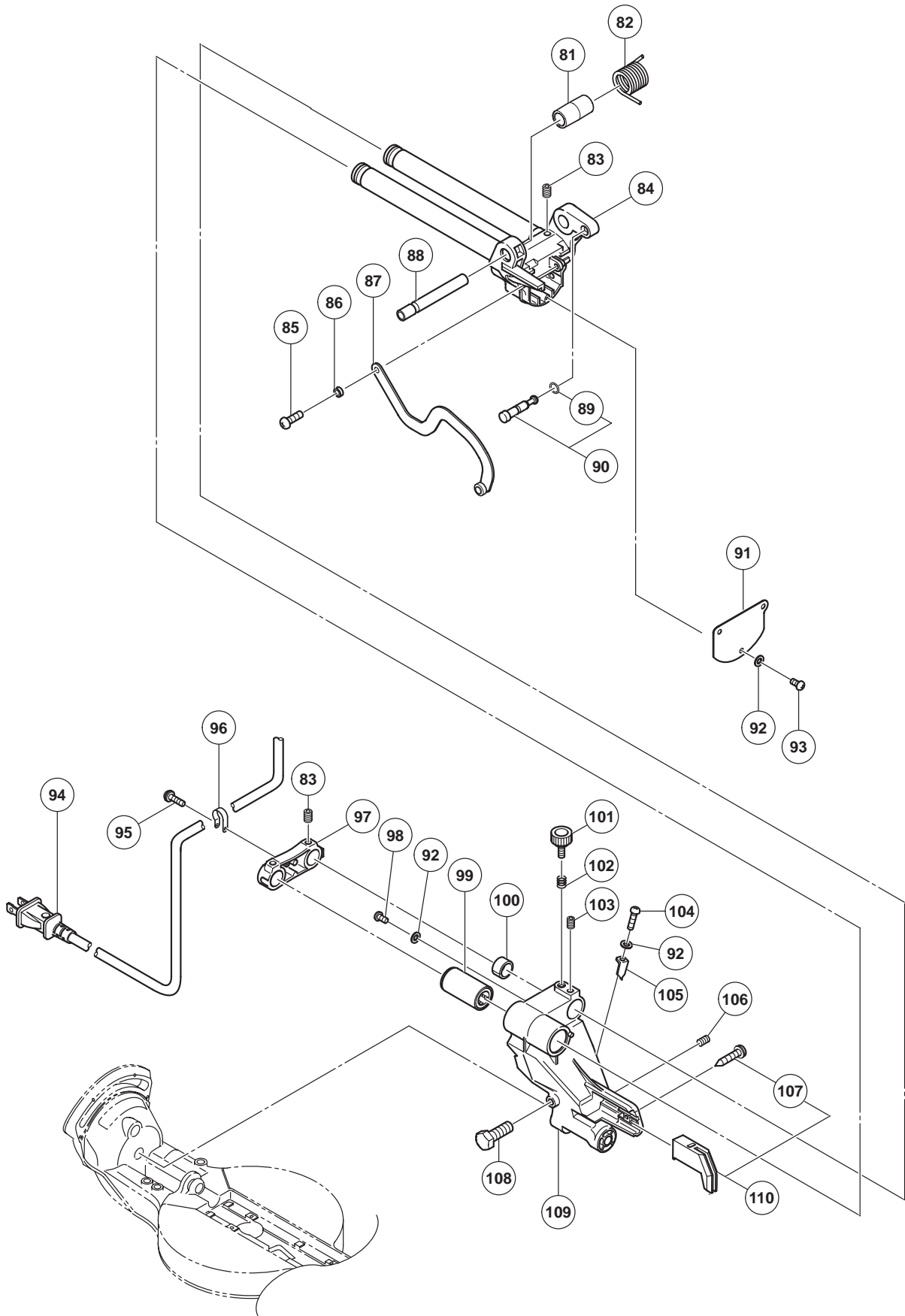


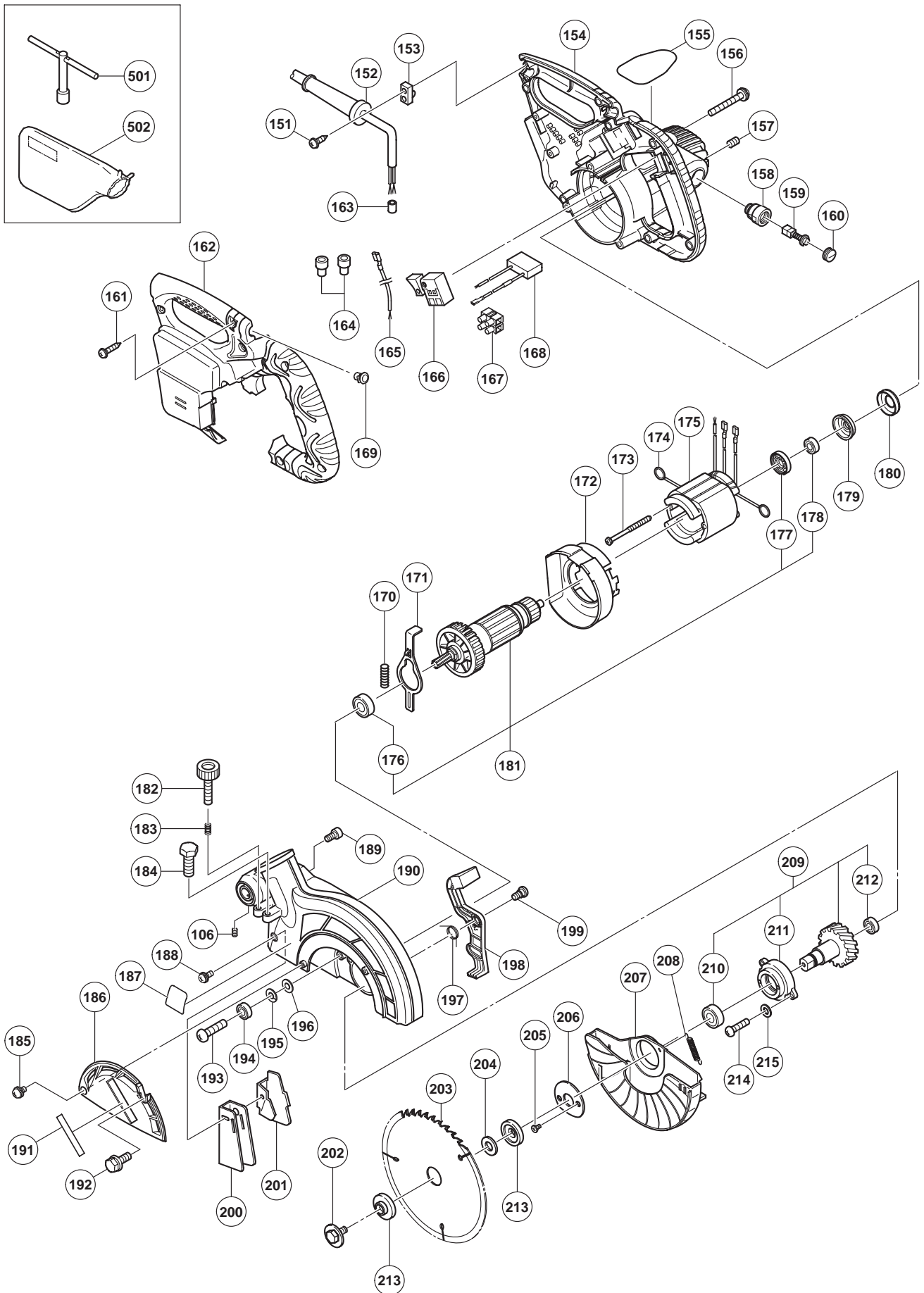
ELECTRIC TOOL PARTS LIST

SLIDE COMPOUND SAW Model C 8FSE

2008·2·19
(E1)







PARTS

C 8FSE

ITEM NO.	CODE NO.	DESCRIPTION	NO. USED	REMARKS
1	935-196	MACHINE SCREW (W/WASHERS) M4X12 (BLACK)	1	
2	312-488	CLAMP LEVER	1	
3	329-409	BOLT (LEFT HAND) D10	1	
4	965-077	SPECIAL WASHER	1	
5	325-028	SET PIN	1	
6	996-407	O-RING (1AP-12)	1	
7	949-215	MACHINE SCREW M4X8 (10 PCS.)	5	
8	949-429	BOLT WASHER M4 (10 PCS.)	6	
9	320-141	HINGE SHAFT (A)	1	
10	329-417	SCALE (B)	1	
11	329-408	LINER (A)	1	
12	312-481	SPRING	1	
13	329-422	TURN TABLE	1	INCLUD. 10
14	329-418	SHAFT (B)	1	
15	949-437	BOLT WASHER M12 (10 PCS.)	2	
16	949-217	MACHINE SCREW M4X12 (10 PCS.)	1	
17	321-329	INDICATOR	1	
18	949-256	MACHINE SCREW M6X16 (10 PCS.)	6	
19	329-421	TABLE INSERT	2	
20	321-342	SPACER (A)	1	
21	329-416	SHAFT (A)	1	
22	673-489	RETAINING RING (E-TYPE) FOR D5 SHAFT	1	
23	322-283	SIDE HANDLE	1	
24	321-339	LEVER SHAFT	1	
25	321-338	LEVER	1	
26	321-340	SPRING (D)	1	
27	329-415	SHAFT (C)	1	
28	987-860	SEAL LOCK HEX. SOCKET SET SCREW M6X6	1	
29	321-417	SPRING (E)	1	
30	322-280	STOPPER (A)	1	
31	324-395	COVER (B)	1	
32	875-249	THRUST WASHER	1	
33	321-336	PIN COVER	1	
34	302-522	KNOB BOLT M10X66	1	
35	301-806	WING BOLT M6X15	1	
36		SCREW HOLDER	1	
37	949-432	BOLT WASHER M6 (10 PCS.)	1	
38	329-859	WISE SHAFT	1	
39	302-532	WISE PLATE	1	
40	949-216	MACHINE SCREW M4X10 (10 PCS.)	1	
41	329-860	WISE ASS'Y	1	INCLUD. 34-40
42	949-678	BOLT M8X35 (10 PCS.)	4	
43	949-457	SPRING WASHER M8 (10 PCS.)	4	
44	949-433	BOLT WASHER M8 (10 PCS.)	4	
45	307-937	WING BOLT (A)	1	
46	329-420	FENCE (B)	1	
* 47	963-837	NYLON NUT M6	1	FOR USA, CAN
* 48	329-465	PLATE	1	FOR USA, CAN
* 49		SUB FENCE	1	FOR USA, CAN
* 50	949-342	FLAT HD. SCREW M6X25 (10 PCS.)	1	FOR USA, CAN

PARTS

C 8FSE

ITEM NO.	CODE NO.	DESCRIPTION	NO. USED	REMARKS
51	998-844	HOLDER	1	
52	949-610	BOLT M6X10 (10 PCS.)	1	
53	324-400	LINER	3	
54	329-419	FENCE (A)	1	
55	329-414	BASE ASS'Y	1	INCLUD. 52, 56, 57
56	323-606	BASE RUBBER	4	
57	315-210	SCALE (A)	1	
* 58		CAUTION LABEL (A)	1	
* 58		CAUTION LABEL (B)	1	FOR USA, CAN
81	322-889	SLEEVE	1	
82	329-410	SPRING	1	
83	961-554	HEX. SOCKET SET SCREW M8X10	4	
84	329-427	HINGE (A) ASS'Y	1	INCLUD. 83, 97
85	949-237	MACHINE SCREW M5X12 (10 PCS.)	1	
86	998-980	SPACER	1	
87	329-411	LINK	1	
88	320-141	HINGE SHAFT (A)	1	
89	984-528	O-RING (P-6)	1	
90	302-518	STOPPER PIN ASS'Y	1	INCLUD. 89
91	324-058	HINGE COVER	1	
92	949-429	BOLT WASHER M4 (10 PCS.)	5	
93	949-215	MACHINE SCREW M4X8 (10 PCS.)	3	
* 94	500-234Z	CORD	1	(CORD ARMOR D10.1)
* 94	500-247Z	CORD	1	(CORD ARMOR D10.1) FOR FIN, DEN, SWE, NOR
* 94	500-461Z	CORD	1	(CORD ARMOR D10.1) FOR GBR (110V)
* 94	500-435Z	CORD	1	(CORD ARMOR D10.1) FOR GBR (230V)
* 94	500-447Z	CORD	1	(CORD ARMOR D10.1) FOR SUI
* 94	500-434Z	CORD	1	(CORD ARMOR D10.1) FOR USA, CAN
* 94	930-055	CORD	1	(CORD ARMOR D10.1) FOR VEN
* 94	500-439Z	CORD	1	(CORD ARMOR D10.1) FOR AUS
* 94	500-423Z	CORD	1	(CORD ARMOR D10.1) FOR KUW, SIN
* 94	500-456Z	CORD	1	(CORD ARMOR D10.1) FOR CHN
* 94	500-455Z	CORD	1	(CORD ARMOR D10.1) FOR THA
* 94	500-234Z	CORD	1	(CORD ARMOR D10.1) FOR INA
95	935-196	MACHINE SCREW (W/WASHERS) M4X12 (BLACK)	1	
* 96	948-614	NYLON CLIP	1	
* 96	948-193	NYLON CLIP	1	FOR GBR (110V), USA, CAN, VEN, TPE
97	329-492	SUPPORT	1	
98	949-215	MACHINE SCREW M4X8 (10 PCS.)	1	
99	329-424	BALL BUSHING	1	
100	326-141	BUSHING	1	
101	324-418	KNOB BOLT M6X25	1	
102	947-859	LOCK SPRING	1	
103	307-956	SEAL LOCK HEX. SOCKET SET SCREW M6X10	1	
104	949-217	MACHINE SCREW M4X12 (10 PCS.)	1	
105	321-329	INDICATOR	1	
106	301-575	HEX. SOCKET SET SCREW M6X8	2	
107	305-558	TAPPING SCREW (W/FLANGE) D5X25 (BLACK)	1	
108	303-409	NYLOCK BOLT M8X25	2	
109	329-428	HOLDER (A)	1	

PARTS

C 8FSE

ITEM NO.	CODE NO.	DESCRIPTION	NO. USED	REMARKS
110	324-372	GUARD ASS'Y	1	INCLUD. 107
151	984-750	TAPPING SCREW (W/FLANGE) D4X16	2	
152	938-051	CORD ARMOR D10.1	1	
153	937-631	CORD CLIP	1	
154	329-437	HOUSING ASS'Y	1	INCLUD. 157, 158
155		NAME PLATE	1	
156	322-123	MACHINE SCREW (W/WASHERS) M5X40 (BLACK)	3	
157	938-477	HEX. SOCKET SET SCREW M5X8	2	
158	957-571	BRUSH HOLDER	2	
* 159	999-001	CARBON BRUSH (1 PAIR)	2	
* 159	999-021	CARBON BRUSH (1 PAIR)	2	FOR GBR (110V), USA, CAN, VEN, TPE
160	931-266	BRUSH CAP	2	
161	301-653	TAPPING SCREW (W/FLANGE) D4X20 (BLACK)	7	
162	329-438	HANDLE COVER	1	
163	324-518	FERRITE CORE	1	
* 164	959-141	CONNECTOR 50092 (10 PCS.)	2	FOR USA, CAN
* 165	329-461	INTERNAL WIRE (G)	1	
* 165	329-430	INTERNAL WIRE (G)	1	FOR USA, CAN
166	324-424	SWITCH (3P FASTON TYPE) W/O LOCK	1	
* 167	958-308Z	PILLAR TERMINAL (A)	1	EXCEPT FOR USA, CAN
* 168	329-861	NOISE SUPPRESSOR 220V-240V	1	EXCEPT FOR GBR (110V), USA, CAN, VEN
* 168	329-862	NOISE SUPPRESSOR 110V	1	FOR GBR (110V), VEN, TPE
169	329-439	CAP	1	
170	323-433	SPRING	1	
171	323-432	LOCK LEVER	1	
172	329-436	FAN GUIDE	1	
173	960-108	HEX. HD. TAPPING SCREW D4X60	2	
174	931-867	BRUSH TERMINAL	2	
* 175	340-729C	STATOR ASS'Y 110V	1	INCLUD. 174
* 175	340-729D	STATOR ASS'Y 120V	1	INCLUD. 174
* 175	340-729E	STATOR ASS'Y 220V-230V	1	INCLUD. 174
* 175	340-729F	STATOR ASS'Y 240V	1	INCLUD. 174
176	608-VVM	BALL BEARING 608VVC2PS2L	1	
177	315-877	DUST SEAL	1	
178	600-0VV	BALL BEARING 6000VVCMP2L	1	
179	322-089	BEARING BUSHING	1	
180	322-090	RUBBER BUSHING	1	
* 181	360-839U	ARMATURE ASS'Y 110V-120V	1	INCLUD. 176-178
* 181	360-839E	ARMATURE ASS'Y 220V-230V	1	INCLUD. 176-178
* 181	360-839F	ARMATURE ASS'Y 240V	1	INCLUD. 176-178
182	961-468	KNOB BOLT M6X37	1	
183	988-821	LOCK SPRING	1	
184	303-409	NYLOCK BOLT M8X25	1	
185	996-274	MACHINE SCREW (W/WASHERS) M5X8	1	
186	329-413	SPINDLE COVER	1	
187		WARNING LABEL	1	
188	935-196	MACHINE SCREW (W/WASHERS) M4X12 (BLACK)	1	
189	877-839	SEAL LOCK HEX. SOCKET HD. BOLT M5X10	1	
190	329-431	GEAR CASE	1	
191	328-922	HITACHI PLATE	1	

STANDARD ACCESSORIES

C 8FSE

ITEM NO.	CODE NO.	DESCRIPTION	NO. USED	REMARKS
501	940-543	BOX WRENCH 10MM	1	
502	322-955	DUST BAG (BLACK)	1	

OPTIONAL ACCESSORIES

ITEM NO.	CODE NO.	DESCRIPTION	NO. USED	REMARKS
601	963-837	NYLON NUT M6	1	
602	329-465	PLATE	1	
603		SUB FENCE	1	
604	949-342	FLAT HD. SCREW M6X25 (10 PCS.)	1	
605	329-464	SUB FENCE ASS'Y	1	INCLUD. 601-604
606	321-374	CROWN MOLDING STOPPER (L) ASS'Y	1	INCLUD. 607-610
607	960-017	KNOB BOLT M6X32	1	
608	321-390	CROWN MOLDING STOPPER HOLDER	1	
609		CROWN MOLDING STOPPER (L)	1	
610	301-806	WING BOLT M6X15	1	
611	322-957	WISE (B) ASS'Y	1	INCLUD. 612-618
612	998-836	KNOB BOLT M6X11	1	
613		SCREW HOLDER (B)	1	
614	306-985	WASHER (H)	1	
615	964-851	BASE RUBBER	1	
616	304-043	MACHINE SCREW (W/WASHERS) M4X10 (BLACK)	1	
617	318-967	WISE SHAFT	1	
618	321-551	KNOB BOLT M10X54	1	
619	329-426	CROWN MOLDING WISE ASS'Y	1	INCLUD. 606, 611
620	974-561	STOPPER	1	
621	949-404	WING BOLT M6X20 (10 PCS.)	1	
622	321-390	CROWN MOLDING STOPPER HOLDER	1	
623		CROWN MOLDING STOPPER (R)	1	
624	301-806	WING BOLT M6X15	1	
625	321-373	CROWN MOLDING STOPPER (R) ASS'Y	1	INCLUD. 607, 622-624
626		HOLDER ASS'Y	1	INCLUD. 627-632
627	321-549	HOLDER	2	
628	949-313	WING NUT M6 (10 PCS.)	2	
629	949-556	NUT M6 (10 PCS.)	2	
630	967-329	WASHER (H)	4	
631	996-261	WISE PLATE	2	
632	996-283	HIGH TENSION BOLT M6X65	2	
633	321-553	GUIDE ASS'Y	1	INCLUD. 607, 620, 621, 626
634	998-840	TCT SAW BLADE 216MM-D15.88 HOLE-NT24	1	
635	998-858	TCT SAW BLADE 216MM-D25.4 HOLE-NT24	1	
636	998-859	TCT SAW BLADE 216MM-D30 HOLE-NT24	1	