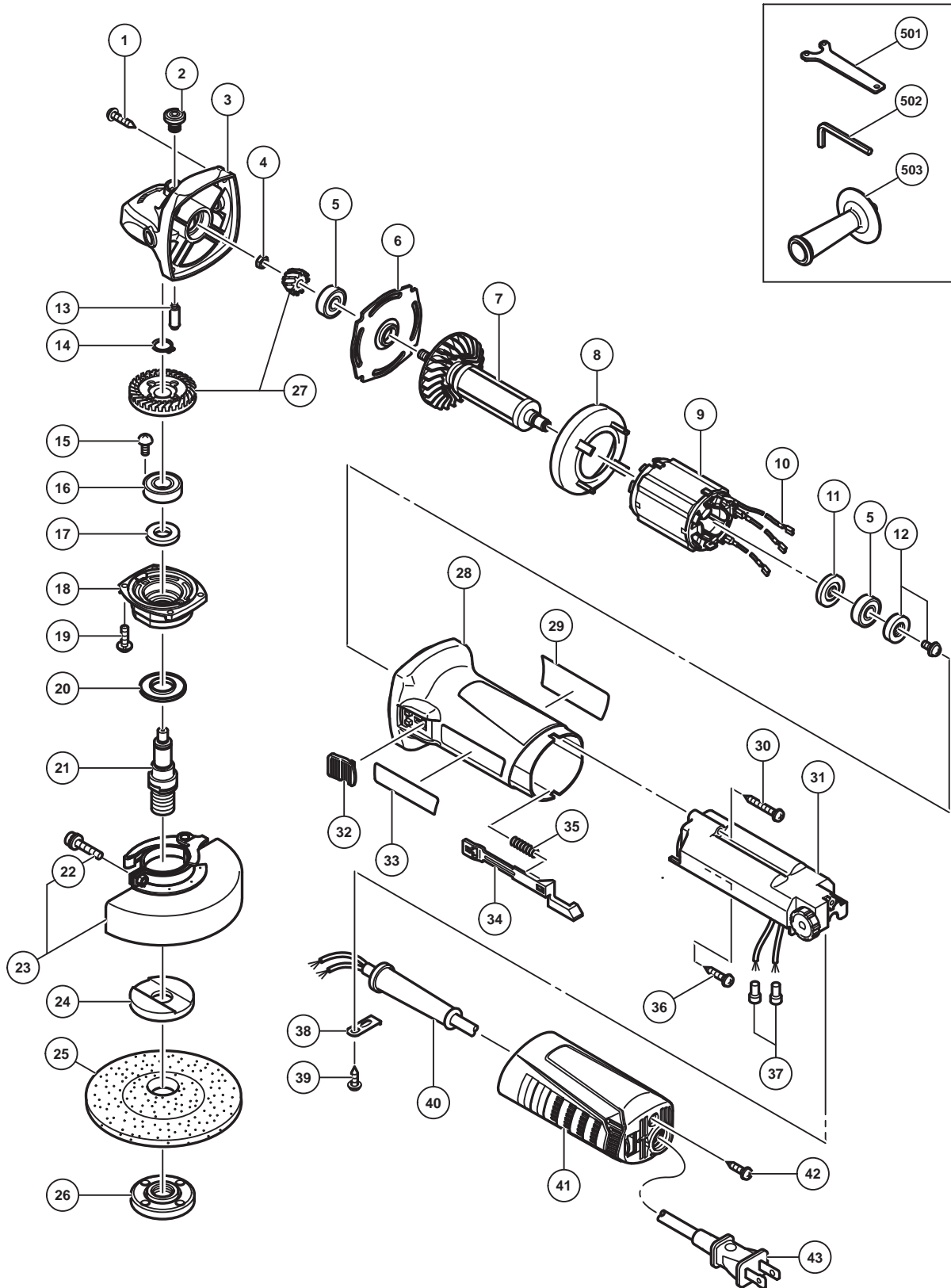


ELECTRIC TOOL PARTS LIST

■ ELECTRONIC DISC GRINDER Model G 12VE

2016-9-1
(E1)



PARTS

G 12VE

ITEM NO.	CODE NO.	DESCRIPTION	NO. USED	REMARKS
1	328643	TAPPING SCREW (W/FLANGE) D4 X 23 (BLACK)	4	
2	301944	PUSHING BUTTON	1	
3	338332	GEAR COVER ASS'Y	1	INCLUD.2,13
4	309191	SPECIAL NUT M6	1	
5	338337	BALL BEARING 608S	2	
6	334940	BEARING HOLDER	1	
7	361052	ROTOR (A) ASS'Y	1	INCLUD.5,6,11
8	338346	FAN GUIDE	1	
9	340961D	STATOR 120V	1	INCLUD.10
10	370131	FASTON	3	
11	338336	DUST SEAL	1	
12	370010	SENSOR MAGNET (A)	1	
13	301943	LOCK PIN	1	
14	939542	RETAINING RING FOR D12 SHAFT (10 PCS.)	1	
15	334942	SLOTTED HD. SCREW (SEAL LOCK) M4	2	
16	6001VV	BALL BEARING 6001VV	1	
17	301946	FELT PACKING	1	
18	334938	PACKING GLAND	1	
19	307127	SEAL LOCK SCREW (W/SP. WASHER) M4 X 12	4	
20	301945	FRINGER	1	
21	370723	SPINDLE	1	
22	316107	HEX. SOCKET HD. BOLT (W/WASHERS) M5 X 20	1	
23	337229	WHEEL GUARD ASS'Y (TOOLLESS TYPE)	1	INCLUD.22
24	319373	WHEEL WASHER	1	
25	316821	D. C. WHEELS 115MM A36Q (25 PCS.)	1	
26	937923P	WHEEL NUT 5/8"-11UNC	1	
27	338338	GEAR AND PINION SET	1	
28	338329	HOUSING	1	
29		NAME PLATE	1	
30	306664	TAPPING SCREW (W/FLANGE) D4 X 40 (BLACK)	1	
31	370722	CONTROLLER 120V	1	
32	338854	SLIDE SWITCH KNOB	1	
33		HITACHI LABEL	1	
34	370130	SLIDE BAR	1	
35	314429	SPRING	1	
36	301653	TAPPING SCREW (W/FLANGE) D4 X 20 (BLACK)	1	
37	959140	CONNECTOR 50091 (10 PCS.)	2	
38	338334	CORD CLIP	1	
39	305720	TAPPING SCREW (W/FLANGE) D4 X 12	1	
40	953327	CORD ARMOR D8.8	1	
41	339142	TAIL COVER	1	
42	307811	TAPPING SCREW (W/FLANGE) D4 X 16 (BLACK)	1	
43	500434Z	CORD	1	

